

## Identification Data



September 12, 2021  
 LAB GROWN DIAMOND  
 Certificate No: 312312334

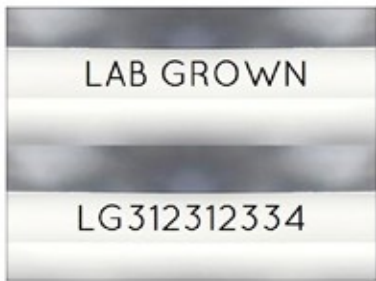
### Gemprint®

Gemprint is the unique optical fingerprint for positive identification of your lab grown diamond. Register your lab grown diamond at [www.Gemprint.com](http://www.Gemprint.com) and receive insurance discounts up to 10%.



### Laser Inscription:

The illustration depicts enlarged and approximate appearances of the inscriptions. Girdle laser inscribed "LAB GROWN" and "LG312312334"



## The 4Cs Grading Analysis

GCAL 312312334 LAB GROWN DIAMOND\*

Carat Weight: 2.28

Cut: Excellent  
 Shape: Princess  
 Measurements: 7.24x7.19x5.06mm  
 Optical Brilliance: Excellent  
 Optical Symmetry: Very Good  
 Polish: Excellent  
 External Symmetry: Very Good  
 Girdle Thickness: Medium-Sl.Thick  
 Culet Size: None

Color: E  
 Fluorescence: None

Clarity: VVS2  
 Identifying Characteristic(s): Cavity/Pinpoints  
 Characteristic Location(s): Crown Corner/Half Moon

\*Comments: This laboratory grown diamond was created by the HPHT (High Pressure High Temperature) method, and has the same chemical, physical, and optical properties as a mined diamond.

### Photomicrographs:

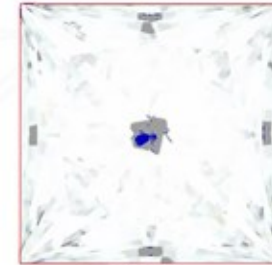
Actual images of the crown (top) and pavilion (bottom) of this diamond photographed at magnifications up to 10x.



## Light Performance Profile

### Optical Brilliance Analysis:

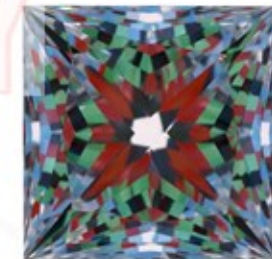
Brilliance is the overall return of light to the viewer. The brilliance image is a representation of (a) white areas of light return, or brilliance, and (b) dark-blue areas of light loss.



Optical Brilliance  
 Excellent

### Optical Symmetry Analysis:

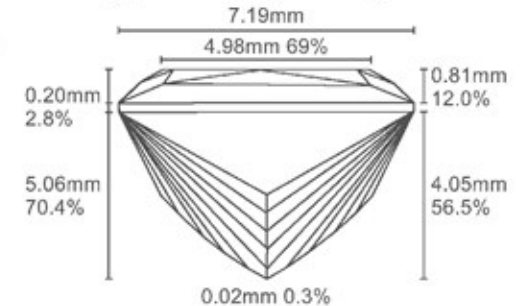
The colored areas of the symmetry image are indications of light handling ability, giving a visual representation of proportions and facet alignment.



Optical Symmetry  
 Very Good

### Proportion Diagram:

The proportion diagram illustrates the actual dimensions as recorded by optical scanning technology.



Guaranteed Lab Grown Diamond Grading Certificate



**GCAL** GEM CERTIFICATION & ASSURANCE LAB  
 ISO 17025 ACCREDITED FORENSIC LABORATORY

580 Fifth Ave LL-05  
 New York, NY 10036  
 T 212-869-8985  
 GCALUSA.com



ISO/IEC 17025 2017  
 ANAB L2177-1 Accredited Testing Lab